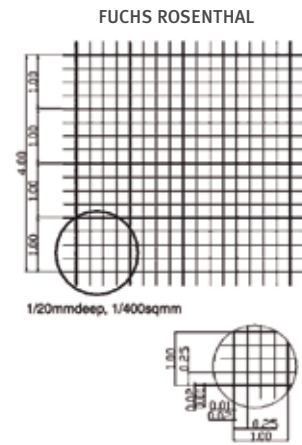
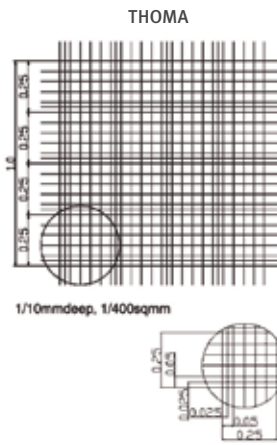
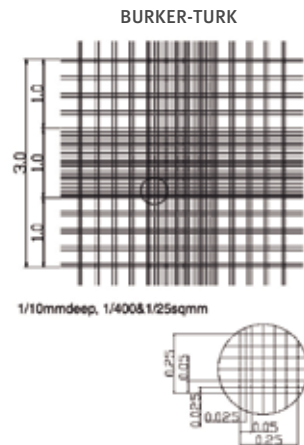
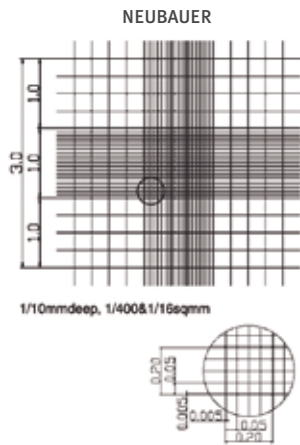


Counting cells with 4 polystyrene grids

- Single-use 4-grid counting cells
- With integrated coverslip
- For easy, contamination-free counting
- For counting 4 samples independently
- 4 types of grid
NEUBAUER / BURKER-TURK / THOMA / FUCHS ROSENTHAL



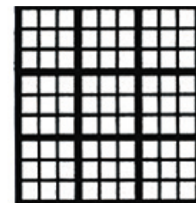
	NEUBAUER	BURKER-TURK	THOMA	FUCHS ROSENTHAL
Per box of 10	813001	813003	813005	813007
€ Excl. VAT	NC -	NC -	NC -	NC -
Per box of 300 (30 x 10)	813000	813002	813004	813006
€ Excl. VAT	NC -	NC -	NC -	NC -



Kovas Slide Plastic Counting Cell Slides

Slides with 10 individual gridded cells made of acrylic. Grid : 3 x 3 mm. Depth : 0.1 mm.
Grid : 9 slots divided into 9 squares.

Cat. No.	Description	€ Excl. VAT per box of 100
050126	Kovas Slide	NC -

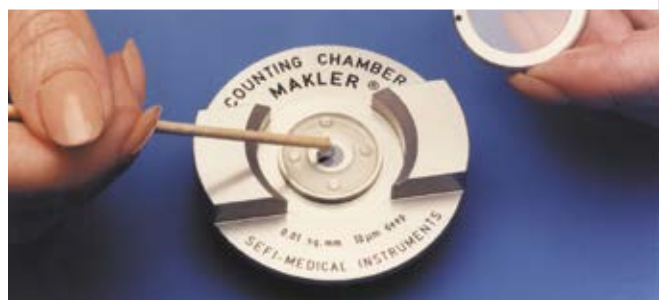


Makler cell

Depth counting cell for obtaining a single layer of spermatozoa.

- Coverslip gridded in 100 grids of 0.1 mm on each side
- 10 µm gap between cell and coverslip

Cat. No.	Description	€ Excl. VAT
000972	Makler chamber with grid	NC -
000973	Replacement grid	NC -



Sedgewick Rafter cell

- With coverslip
- For particle counting in 1 ml of water
- Graduated cell with a 1 mm grid that divides 1 ml into 1000 µl
- Cell dimensions : 50 x 20 x 1 mm

Cat. No.	Description	€ Excl. VAT
140470	Sedgewick Rafter cell	NC -
140471	Sedgewick Rafter plastic cell	NC -
140472	Replacement coverslip 60 x 30 x 1 mm	NC -

