

Work furniture-benches to be assembled

Work furniture to be assembled, different colours of legs, panels and edges of shelves.

Include :

- worktop with or without sink
- 2 metal legs of 600 mm or 750 mm with or without skirting and shelf (3 metal legs for 1800 mm bench)
- 1 laminate front panel
- 1 back panel
- 1 furniture stop
- 1 fluid cover

➤ **Maximum load : 180 kg**

➤ **Additional mounting possible, please consult us**

➤ **Complies with AFNOR 15201 standards**

➤ **3 possible coatings: enamelled glass, laminate and stoneware**

➤ **Choice of colours:**

- colour of base: white or **red**

- colour of fascia and edge of shelf: white, yellow or grey to be specified when ordering

1



Bench without skirting and shelf
600-900-1200-1500 mm

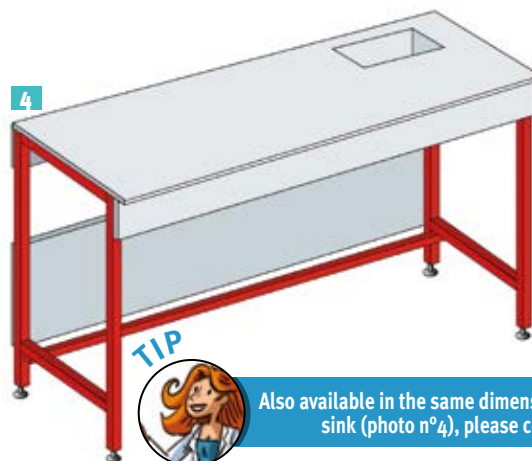
Bench base 750 mm deep

Coating	Enamelled glass		Laminate		Drawn sandstone	
	Cat. No.	€	Cat. No.	€	Cat. No.	€
Dimensions : L x D (mm)						
750 mm worktop and 750 mm deep metal base						
600 x 750	374124	NC -	374164	NC -	374204	NC -
900 x 750	374125	NC -	374165	NC -	374205	NC -
1200 x 750	374126	NC -	374166	NC -	374206	NC -
1500 x 750	374127	NC -	374167	NC -	374207	NC -
1800 x 750	374128	NC -	374168	NC -	374208	NC -

Bench depth 600 mm or 750 mm

Coating	Enamelled glass		Laminate		Drawn sandstone	
	Cat. No.	€	Cat. No.	€	Cat. No.	€
Dimensions : L x D (mm)						
600 mm worktop and 600 mm deep metal base						
600 x 600	374100	NC -	374140	NC -	374180	NC -
900 x 600	374101	NC -	374141	NC -	374181	NC -
1200 x 600	374102	NC -	374142	NC -	374182	NC -
1500 x 600	374103	NC -	374143	NC -	374183	NC -
1800 x 600	374104	NC -	374144	NC -	374184	NC -
750 mm worktop and 600 mm deep metal base						
600 x 750	374116	NC -	374156	NC -	374196	NC -
900 x 750	374117	NC -	374157	NC -	374197	NC -
1200 x 750	374118	NC -	374158	NC -	374198	NC -
1500 x 750	374119	NC -	374159	NC -	374199	NC -
1800 x 750	374120	NC -	374160	NC -	374200	NC -

4



Also available in the same dimensions: bench with sink (photo n°4), please consult us.

Note:

750 mm deep benches with a 600 mm base cannot be

fitted with skirting and shelf. It can only be retrofitted to 750 mm deep benches with 750 mm deep base

750 mm deep benches with a 600 mm base can be placed along the wall even when fluids (e.g. water) are present, thanks to the 150 mm gap between the wall and the base.

Bench with skirting and shelf, height 90 cm

➤ **Bench with skirting and shelf**

➤ **The melamine backsplash accommodates the tapware and electrical outlets**

Bench with skirting and shelf, overall depth 750 mm

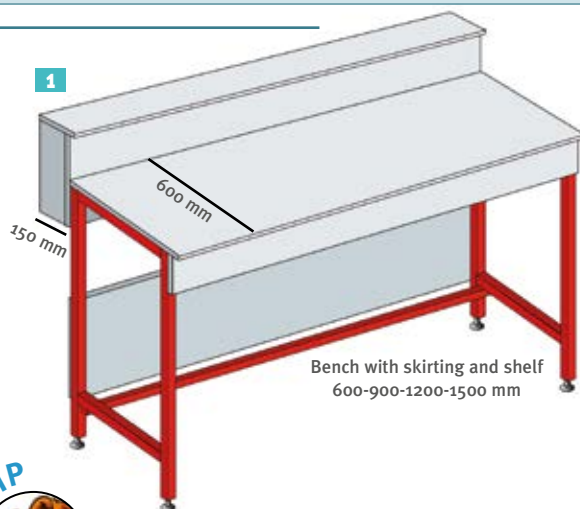
Coating	Enamelled glass		Laminate		Drawn sandstone	
	Cat. No.	€	Cat. No.	€	Cat. No.	€
Dimensions* : L x D (mm)						
600 mm worktop and 600 mm deep metal base						
600 x 750	374108	NC -	374148	NC -	374188	NC -
900 x 750	374109	NC -	374149	NC -	374189	NC -
1200 x 750	374110	NC -	374150	NC -	374190	NC -
1500 x 750	374111	NC -	374151	NC -	374191	NC -
1800 x 750	374112	NC -	374152	NC -	374192	NC -

Bench with skirting and shelf, overall depth 900 mm

Coating	Enamelled glass		Laminate		Drawn sandstone	
	Cat. No.	€	Cat. No.	€	Cat. No.	€
Dimensions* : L x D (mm)						
750 mm worktop and 750 mm deep metal base						
600 x 900	374132	NC -	374172	NC -	374212	NC -
900 x 900	374133	NC -	374173	NC -	374213	NC -
1200 x 900	374134	NC -	374174	NC -	374214	NC -
1500 x 900	374135	NC -	374175	NC -	374215	NC -
1800 x 900	374136	NC -	374176	NC -	374216	NC -

* the overall depth is equal to the depth of the bench + the skirting and shelf (150 mm)

1



Bench with skirting and shelf
600-900-1200-1500 mm

TIP



Bench tops with a skirting and shelf are also available with a washbasin, in the same dimensions. (photo n°4)

4



Bench with skirting and shelf
with sink 1800 mm